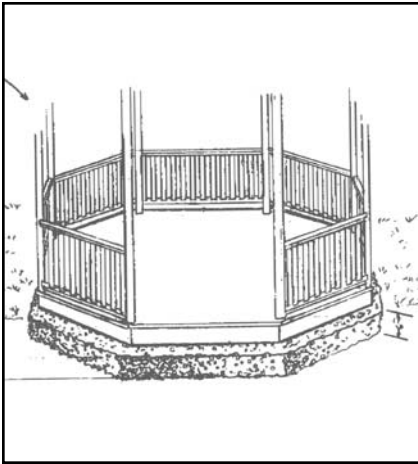


# Site Preparation Guidelines

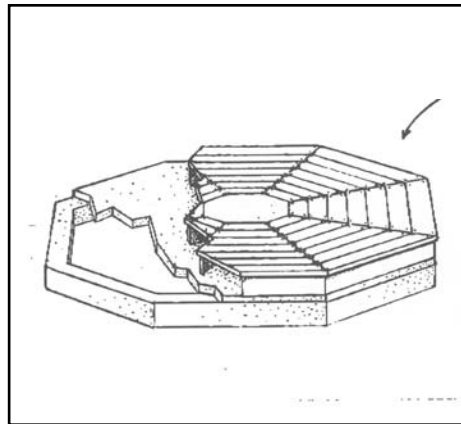
rev. 4/08/10

For all products purchased from SunCast's HomePlace Collection, it is necessary to have a **firm, level surface** on which to set the building or gazebo. Our custom-built structures come with 4 inch x 4 inch foundation beams attached to the under side of the floor. This allows smaller units, such as a 6 ft. x 8 ft. playhouse, to sit directly on your lawn. The foundation beams allow the air to flow under the building, keeping your floor dry. Gazebos larger than 12 ft. and playhouses/utility buildings larger than 10 ft. x 16 ft., should be placed on one of three prepared



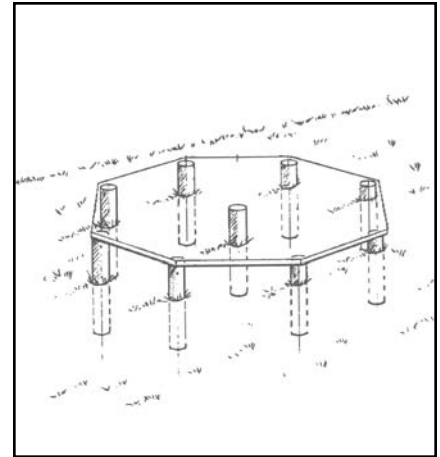
## Crushed Stone Base

A base of 3/4 inch crushed stone, 4 to 6 inches deep is a great foundation for any building. Use a long 2x4 or other straight edge to grade the stone until the area is perfectly level. The stone base area should extend 6 inches past the edge of the actual building.



## Concrete Pad

A concrete pad 4 to 5 inches thick is an ideal foundation for any larger building or gazebo over 16 ft wide. The pad should have a 12 inch x 12 inch footer under the pad, around the perimeter of the structure. The pad should be the same size as the actual building that will be placed on it. Use reinforcing bars in the concrete as needed.



## Concrete Pillars

Concrete pillars are a good choice for larger gazebos over 14 feet, or for any gazebo when the existing ground is on a steep slope or grade. A octagon gazebo will need 9 pillars to support the structure. Dig the holes (depth depends on location in the USA ) and then install 12 inch tubes. Fill the tubes with concrete, making sure that the top of the concrete pillars are perfectly level.



***SunCast is not responsible for site preparation. Check with your local building department to determine what permits are needed. Permits and local requirements are the responsibility of the customer.***

[www.HomePlaceStructures.com](http://www.HomePlaceStructures.com)

Questions? Call 1-866-768-8465